

# PRODUCT DATASHEET

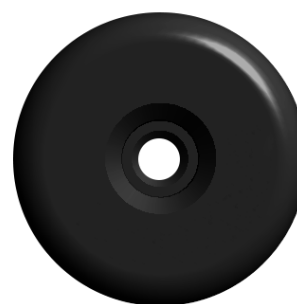
## On-Metal Stick Tag – D34

### Heavy-duty Tag to Withstand Harsh Conditions

On-Metal Stick Tag is built with industrial-grade plastic to withstand harsh conditions. The tag can be mounted on items with metal surface by using adhesive or screw in the 4.5mm central hole. The flat surface can be laser marked with logo or numbering to assist visual identification.

### Features

- IP68 rated
- LF, HF (NFC) or RAIN (UHF) available
- Non-Metal or On-Metal surface applicable
- Good ID numbering or logo marking by laser
- Robust survive harsh conditions



### Applications

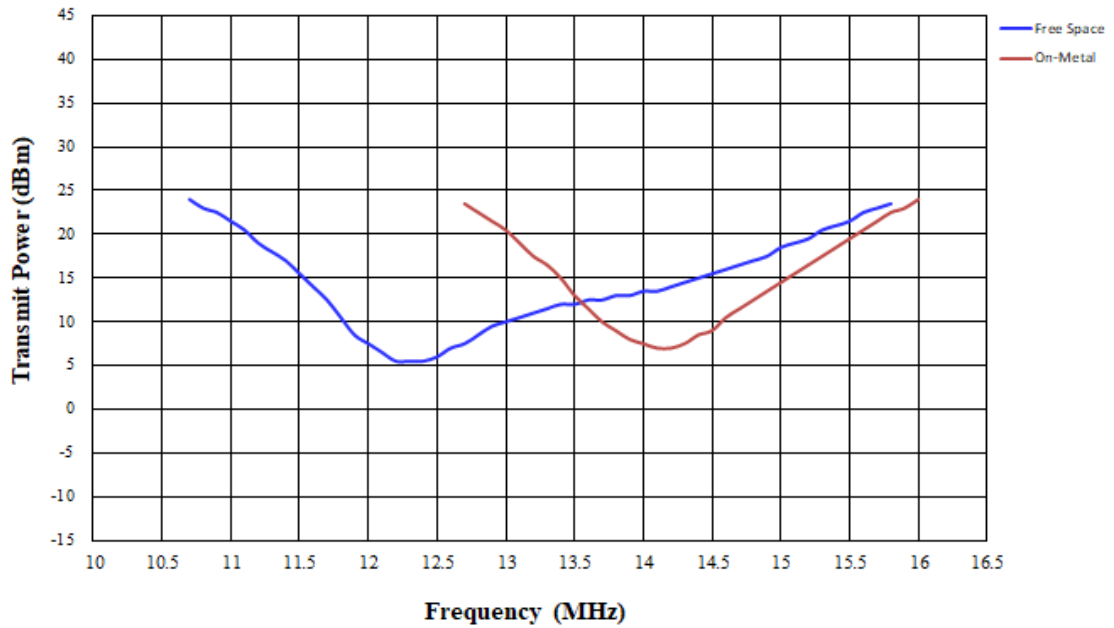
- Logistics Management
- Item Tracking
- Asset Management

### RF Specification

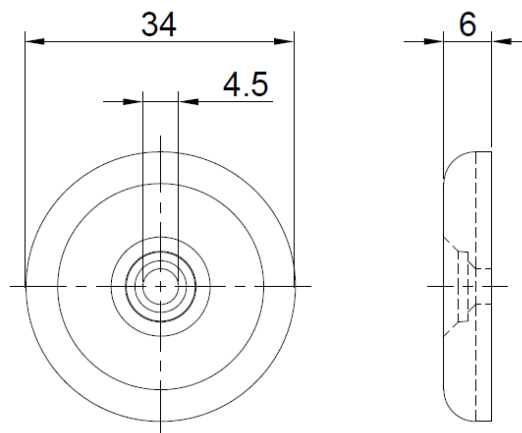
<b>IC Type</b>	NXP NTAG 213
<b>Memory</b>	UID 7-byte User 144 byte
<b>RF Interface Protocol</b>	ISO/IEC 14443 A NFC Forum Type 2
<b>Operating Frequency</b>	13.56 MHz
<b>Applicable Surface</b>	Optimized on Metal

### Environmental Resistance

<b>Operating Temperature</b>	-40°C to +85°C
<b>Storage Temperature</b>	-40°C to +100°C
<b>Peak Temperature</b>	200°C for 30 minutes
<b>Weight</b>	6g
<b>Warranty</b>	One Year



\*HF sensitivity shown in the figure is measured by Voyantic Tagformance HF Loop Antenna C60. Actual sensitivity performance is subject to the environment in practice.



### Physical Specification

<b>Color</b>	Black
<b>Material</b>	Nylon
<b>Size</b>	OD 34 mm/ 1.33 in ID 4.5 mm/ 0.17 in Thickness 6.0 mm/ 0.23 in *The exact size is mainly based on metric unit.
<b>IP Rating</b>	IP68
<b>Attachment</b>	1. Adhesive (parts not included) 2. M4 type screw (parts not included)

Ref. No: Digi-key / 420550538-05012

All rights reserved. Product specifications are subject to change without prior notification.

Securitag Assembly Group (SAG) reserves the rights to change product specifications without prior notice. Our products are free from defects in material and workmanship. However, this warranty does not cover accidental damage, wear and tear due to Under no conditions is SAG liable for loss and damage to a device, data or records. We also recommend extra care to minimize ESD improper use, in the surroundings of the application.

